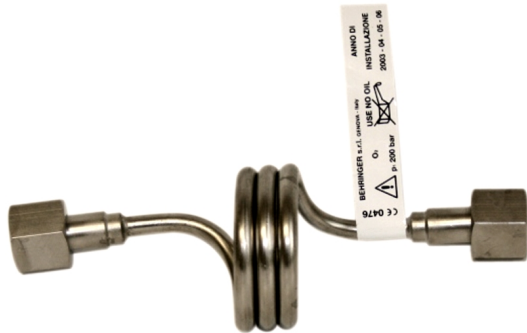




**BEHRINGER**

## Food gas equipments



### Copper connection

#### Product description

Flexible connection made of  $\varnothing$  8 mm annealed copper tube, chemically nickel-plated, used for high pressure connection of the manifold at the inlet to the device downstream or of two manifolds. The connection nuts are also chemically nickel-plated CW614N brass, threaded W21.7x1/14" 'A'.

### Normatives

UNI EN ISO 9001:2008

### Components

Nickel-plated copper pipe with  $\varnothing$  8 mm external diameter,  $\varnothing$  4 mm internal, length 800 mm.  
Inlet and outlet fittings made of nickel-plated CW614N brass, threaded W21.7x1/14" 'A'.  
Nylon and copper gasket.

### Product codes

LENGTH	CODE
0,5 m	HSA015

### Technical data

CODE	LENGTH	INLET CONNECTION	OUTLET CONNECTION	WEIGHT
HSA015	0,5 m	W21,7x1/14" 'A'	W21,7x1/14" 'A'	0.60 kg

**Behringer S.r.l.** via Gualco 4, 16165 Genova ITALY

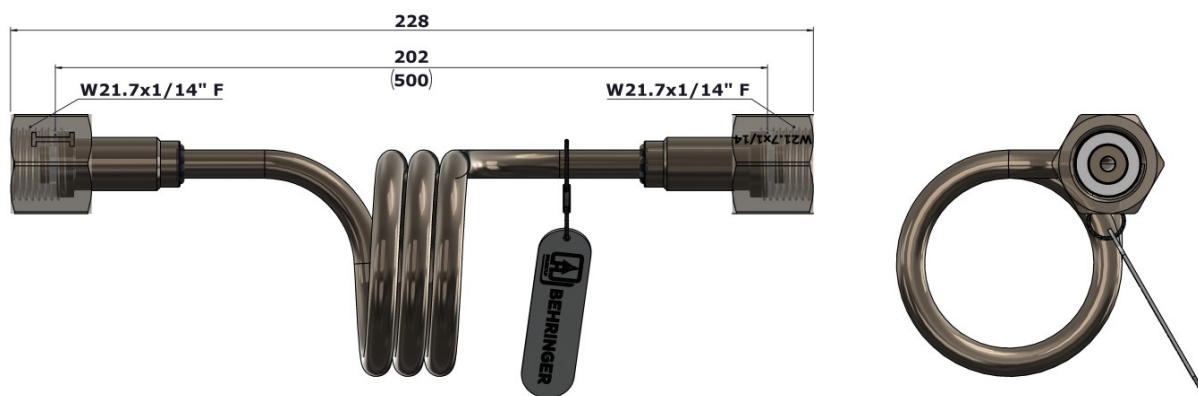
**T** +39 010 8309103

**F** +39 010 8309183

**e-mail** info@behringer.it

**C.F. e P.I.** 01167840998

## Technical Images



**Behringer S.r.l.** via Gualco 4, 16165 Genova ITALY

**T** +39 010 8309103

**F** +39 010 8309183

**e-mail** [info@behringer.it](mailto:info@behringer.it)

**C.F. e P.I.** 01167840998