

Food gas equipments



SENIOR/3 Manual manifold

Product description

Manifold for food-grade gas, consisting of a single 451-type pressure gauge, made of CW614N chemically nickel-plated brass, with discharge valve integrated into the pressure regulator, one pressure gauge for checking line pressure and two high pressure shut-off valves. The inlet connection is threaded W21.7x1/14" 'A', the outlet is fitted with a Ø 16 mm weld-on pipe connector. Its maximum nitrogen capacity at 12 bar outlet pressure is 90 Nm³/h, 1500 NI/min. The module allows use of two joint or separate supply lines, connected by high pressure flexible hoses. On request the pressure gauge at the pressure regulator's inlet

can have electrical contacts to be connected to a central alarm unit to signal if the manifold is empty. For easy wall mounting, all components are installed on an anodized aluminum plate.

Normatives

UNI EN ISO 5171:2010 | UNI EN ISO 7291:2015 | UNI EN ISO 9001:2008

Components

One 451-type pressure regulator made of chemically nickel-plated CW614N brass and stainless steel pressure adjustment set screw.

One overpressure discharge valve integrated in the pressure regulator, made of CW614N chemically nickel-plated brass.

One W21.7x1/14" M R inlet.

One Ø16 mm weld-on pipe connector on the outlet.

Two shut-off valves made of CW614N brass.

One 0-315 bar inlet pressure gauge, class 2.5.

One 0-16 bar outlet pressure gauge, class 2.5.

Stainless steel springs.

Food-grade NBR diaphragm.

Silicone O-ring.

Teflon seat.

Nylon gaskets.

Anodized aluminum mounting plate.

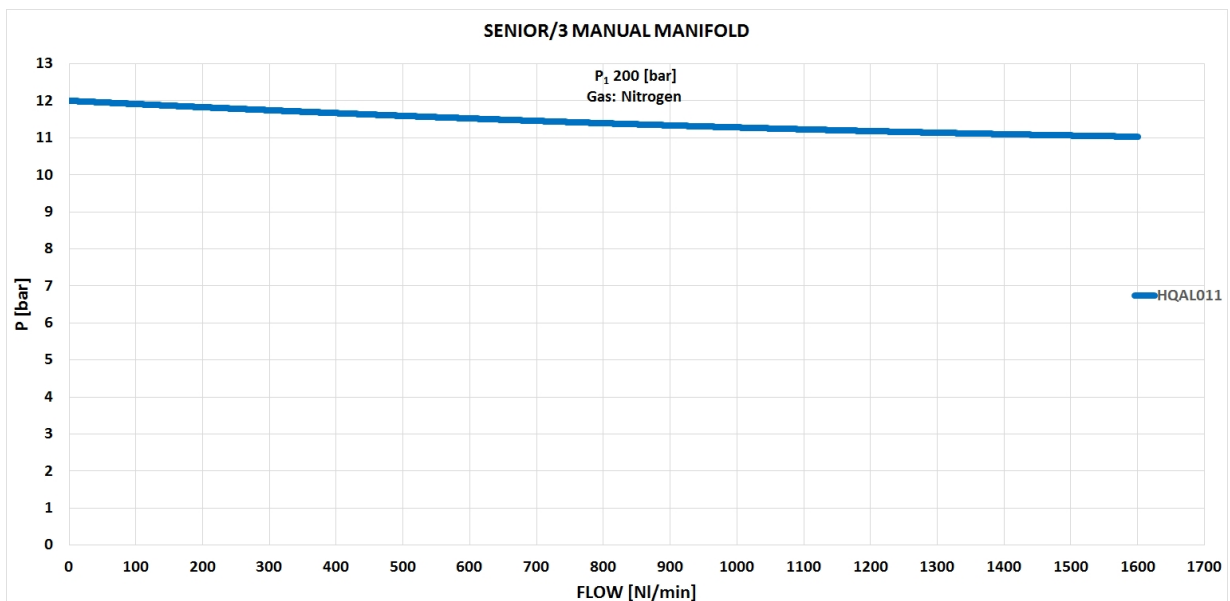
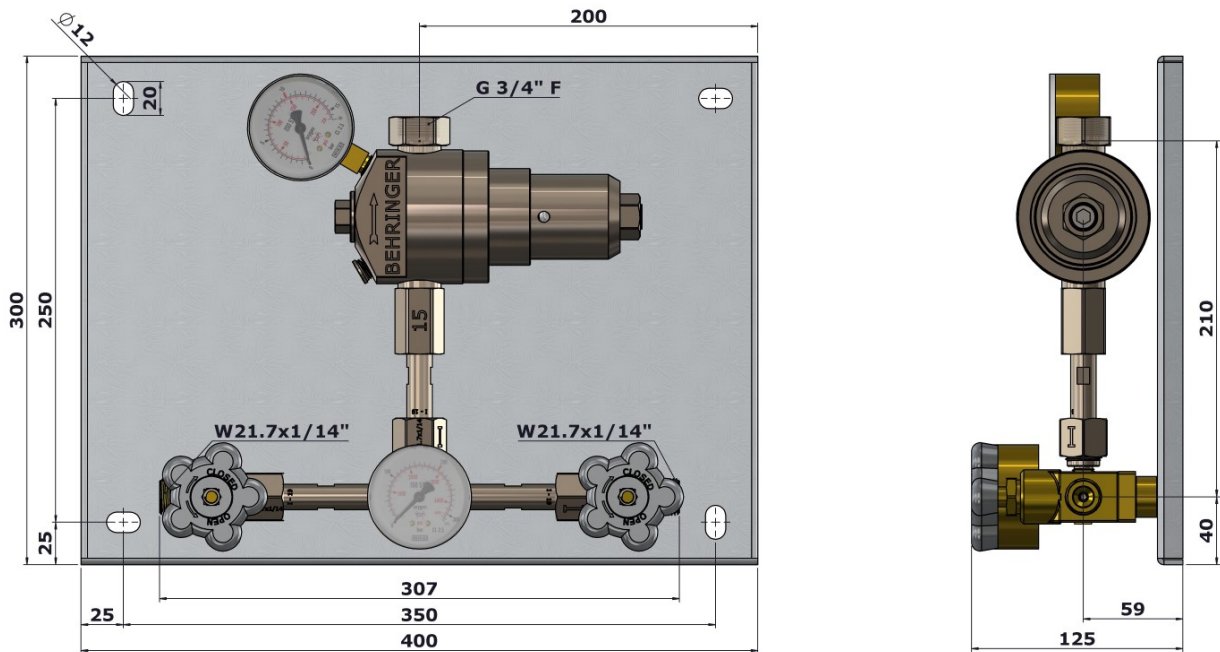
Product codes

GAS		CODE
OXYGEN, NITROGEN, ARGON, HELIUM, CARBON DIOXIDE		HQAL011

Technical data

CODE	Q max.	P ₁ max.	P ₂ max.	INLET CONNECTION	OUTLET CONNECTION	WEIGHT
HQAL011	90 Nm ³ /h	200 bar	12 bar	W21,7x1/14" 'A'	Pipe connector Ø 16 mm	7,0 kg

Technical Images



Behringer S.r.l. via Gualco 4, 16165 Genova ITALY

T +39 010 8309103

F +39 010 8309183

e-mail info@behringer.it

C.F. e P.I. 01167840998