

Marine and industrial plant engineering



Nesplon 400

Product description

The Nesplon 400 safety valve for high flowrate industrial gas lines performs three functions, flame arrestor, gas check and overpressure discharge in compliance with EN 730-1 and EN 730-2 standards. The Nesplon 400 valve comes with two 1" gas specific flanges and counter flanges. We recommend a full service of the Nesplon/400 valves in the case of a flashback, after 5 years from the date of installation and in any case after the time limit of 5 years plus 1 from the manufacturing date on the valve.

Normatives

UNI EN ISO 9539:2014 | UNI EN ISO 9001:2008 | UNI EN 730-1:2006 | UNI 11627:2016 | UNI EN 730-2:2006

Components

- Galvanized steel body.
- AISI 316 sintered stainless steel flashback arrestor filter.
- CW614N brass gas check and overpressure discharge valve.
- Stainless steel springs.
- Aluminum and NBR body gaskets.
- FASIT 202 counter flange gaskets.

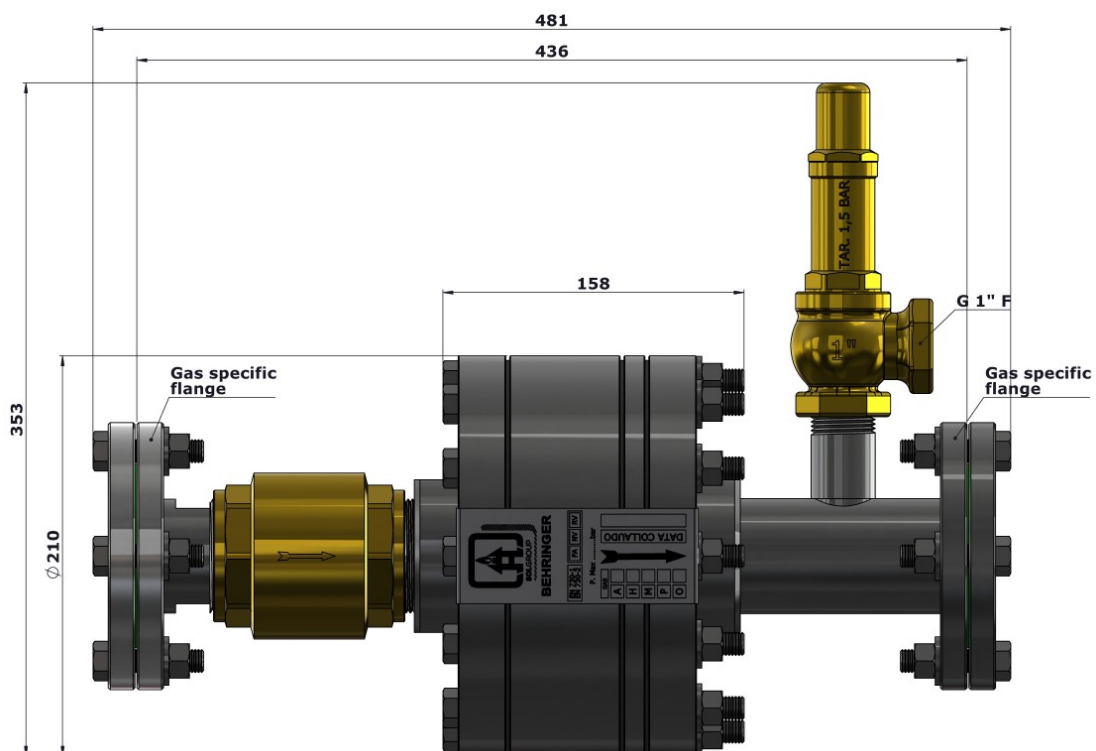
Product codes

GAS	CODE
OXYGEN	VN40001
FUELS	VN400G1
ACETYLEN	VN400A1

Technical data

CODE	GAS	P overpressure	Q max.
VN400O1	OXYGEN	16 bar	400 m ³ /h
VN400G1	FUELS	4 bar	150 m ³ /h
VN400A1	ACETYLEN	1,5 bar	30 m ³ /h

Technical Images



Behringer S.r.l. via Gualco 4, 16165 Genova ITALY

T +39 010 8309103

F +39 010 8309183

e-mail info@behringer.it

C.F. e P.I. 01167840998