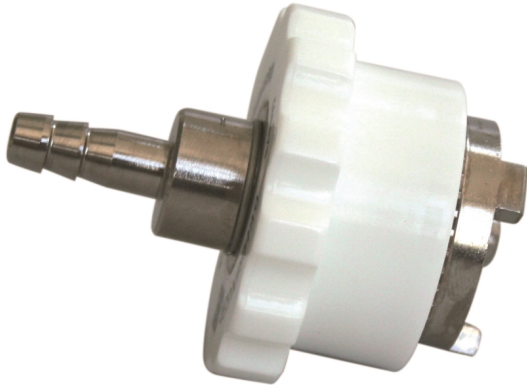




## Medical gas devices



### AFNOR NFS 90-116

#### Product description

The probe can be used to supply the desired medical gas from the clinic-hospital system. The AFNOR probe complies with the NF S 90-116 standard. Each probe is a different size so they cannot be swapped and each individual probe can be assigned to the corresponding gas take-off. All materials are oxygen compatible, supplied clean and free of any traces of oil, grease or dust.

#### Normatives

UNI EN ISO 9170-1:2008 | NF S 90-116 | UNI EN ISO 9001:2008 | UNI EN ISO 9170-2:2008 | UNI CEI EN ISO 13485:2004 | UNI EN ISO 15001:2012

#### Components

CW614N chemically nickel-plated brass body, specific for each gas.

ABS ring nut.

Galvanized steel snap ring.

Stainless steel springs.

#### Product codes

CONNECTION	TYPE	GAS	OUTLET	CODE	CATALOGUE NO.
Hose connector	Without lock system	OXYGEN	In line	HI001	174670/R
Hose connector	Without lock system	AIR 400	In line	HI002	174670/R
Hose connector	Without lock system	VAC	In line	HI003	174670/R
Hose connector	Without lock system	NITROUS OXIDE	In line	HI004	174670/R
Hose connector	Without lock system	NITROGEN 400	In line	HI005A	174670/R
Hose connector	Without lock system	CARBON DIOXIDE	In line	HI005B	174670/R
Hose connector	Without lock system	NIROGEN 800	In line	HI005C	174670/R
Hose connector	Threaded	AIR 800	In line	HI005E	174670/R
Hose connector	Without lock system	AIR 800	In line	HI100	174670/R
G1/4" F R	Without lock system	OXYGEN	In line	HI006	174670/R
G1/4" F R	Without lock system	AIR 400	In line	HI007	174670/R

## Product codes

CONNECTION	TYPE	GAS	OUTLET	CODE	CATALOGUE NO.
G1/4" F R	Without lock system	VAC	In line	HI008	174670/R
G1/4" F R	Without lock system	NITROUS OXIDE	In line	HI009	174670/R
G1/4" F R	Without lock system	NITROGEN 400	In line	HI009A	174670/R
G1/4" F R	Without lock system	CARBON DIOXIDE	In line	HI009B	174670/R
G1/4" F R	Without lock system	ARGON	In line	HI009C	174670/R
G1/4" F R	With lock system	OXYGEN	In line	HI073	174670/R
G1/4" F R	With lock system	AIR 400	In line	HI074	174670/R
G1/4" F R	With lock system	VAC	In line	HI075	174670/R
G1/4" F R	With lock system	NITROUS OXIDE	In line	HI076	174670/R
G1/4" F R	With lock system	NITROGEN 400	In line	HI077	174670/R
G1/4" F R	With lock system	CARBON DIOXIDE	In line	HI078	174670/R
G1/4" F R	With lock system	AIR 800	In line	HI101	174670/R
Hose connector	Without lock system	OXYGEN	90°	HI020	174670/R
Hose connector	Without lock system	AIR 400	90°	HI021	174670/R
Hose connector	Without lock system	VAC	90°	HI022	174670/R
Hose connector	Without lock system	NITROUS OXIDE	90°	HI023	174670/R
Hose connector	Without lock system	CARBON DIOXIDE	90°	HI024	174670/R
Hose connector	Without lock system	NITROGEN 400	90°	HI025	174670/R
Hose connector	Without lock system	AIR 800	90°	HI102	174670/R

## Technical data

CODE	TYPE	OUTET	CONNECTION	Ø OUTLET
HI001	Without lock system	In line	Hose connector	Ø 6 mm
HI002	Without lock system	In line	Hose connector	Ø 6 mm
HI003	Without lock system	In line	Hose connector	Ø 6 mm
HI004	Without lock system	In line	Hose connector	Ø 6 mm
HI005A	Without lock system	In line	Hose connector	Ø 6 mm
HI005B	Without lock system	In line	Hose connector	Ø 6 mm
HI005C	Without lock system	In line	Hose connector	Ø 6 mm
HI005E	Threaded	In line	Hose connector	Ø 6 mm
HI100	Without lock system	In line	Hose connector	Ø 6 mm
HI006	Without lock system	In line	G1/4" F R	Ø 6 mm
HI007	Without lock system	In line	G1/4" F R	Ø 6 mm
HI008	Without lock system	In line	G1/4" F R	Ø 6 mm
HI009	Without lock system	In line	G1/4" F R	Ø 6 mm
HI009A	Without lock system	In line	G1/4" F R	Ø 6 mm
HI009B	Without lock system	In line	G1/4" F R	Ø 6 mm
HI009C	Without lock system	In line	G1/4" F R	Ø 6 mm
HI073	With lock system	In line	G1/4" F R	Ø 6 mm
HI074	With lock system	In line	G1/4" F R	Ø 6 mm
HI075	With lock system	In line	G1/4" F R	Ø 6 mm
HI076	With lock system	In line	G1/4" F R	Ø 6 mm

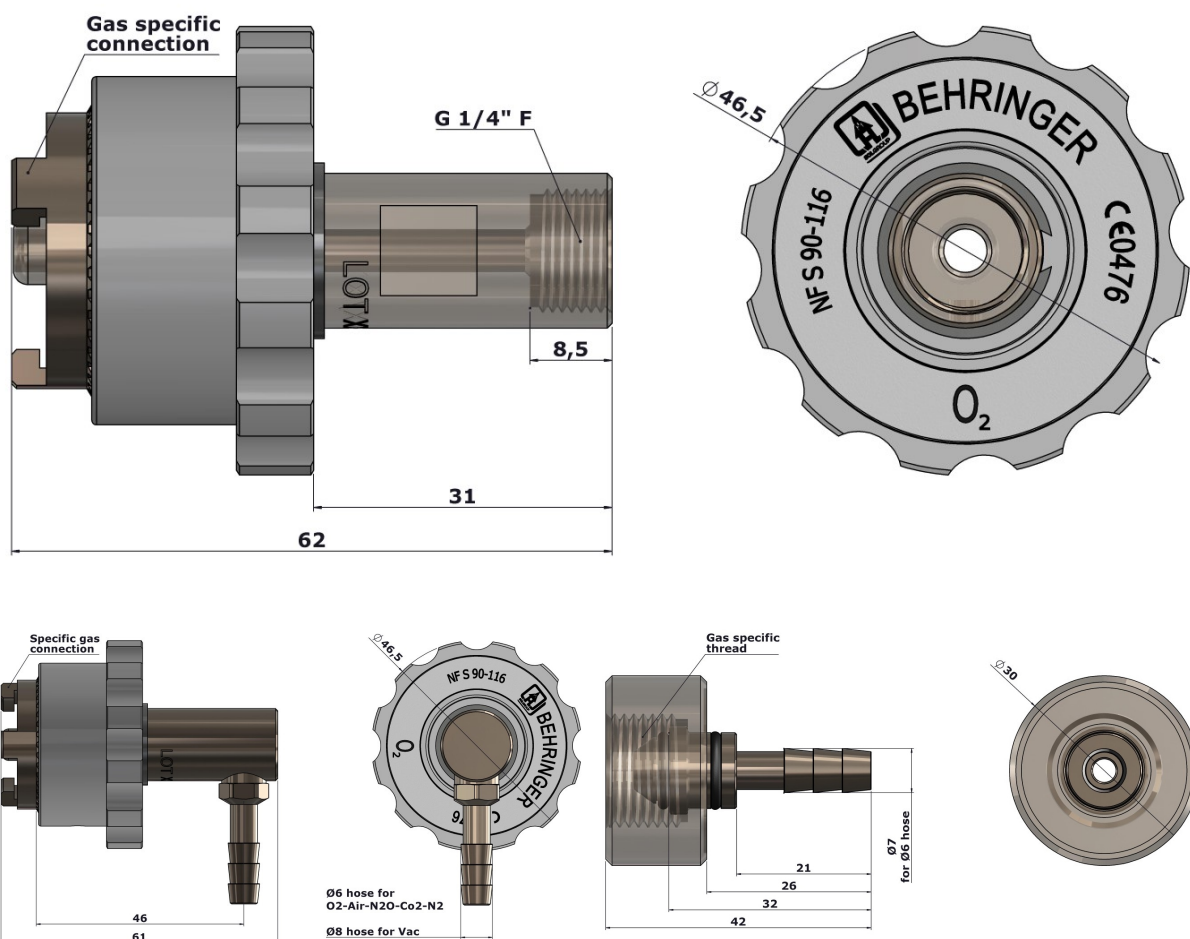
Behringer S.r.l. via Gualco 4, 16165 Genova ITALY

T +39 010 8309103 F +39 010 8309183 e-mail info@behringer.it C.F. e P.I. 01167840998

## Technical data

CODE	TYPE	OUTLET	CONNECTION	Ø OUTLET
HI077	With lock system	In line	G1/4" F R	Ø 6 mm
HI078	With lock system	In line	G1/4" F R	Ø 6 mm
HI101	With lock system	In line	G1/4" F R	Ø 6 mm
HI020	Without lock system	90°	Hose connector	Ø 6 mm
HI021	Without lock system	90°	Hose connector	Ø 6 mm
HI022	Without lock system	90°	Hose connector	Ø 6 mm
HI023	Without lock system	90°	Hose connector	Ø 6 mm
HI024	Without lock system	90°	Hose connector	Ø 6 mm
HI025	Without lock system	90°	Hose connector	Ø 6 mm
HI102	Without lock system	90°	Hose connector	Ø 6 mm

## Technical Images



Behringer S.r.l. via Gualco 4, 16165 Genova ITALY

T +39 010 8309103

F +39 010 8309183

e-mail info@behringer.it

C.F. e P.I. 01167840998