



**BEHRINGER**

## Medical gas devices



### GIGANT/R fourth source module

#### Product description

Control module for medical gases, consisting of one GIGANT/R model regulator, two pressure gauges with CW614N brass body, aluminum cap and a High Pressure shut-off valve. The inlet connection is specific for the gas used, the outlet is fitted with a  $\varnothing$  22 mm weld-on pipe connector. Its maximum nitrogen capacity at 9 bar outlet pressure is 200 Nm<sup>3</sup>/h, 3333 NI/min. The module is protected from atmospheric agents by a satin-finish AISI 316 stainless steel box with transparent PLEXIGLAS windows for checking the pressure gauges. For easy wall mounting, all components are installed on a satin-finish AISI 316 stainless

steel plate.

#### Normatives

UNI EN ISO 10524-2:2006 | UNI EN ISO 9001:2008 | UNI CEI EN ISO 14971:2012 | UNI CEI EN ISO 13485:2004 | UNI EN ISO 15001:2012

#### Components

- N. One GIGANT/R pressure regulator the body of which is made of CW614N brass, aluminum cap and stainless steel pressure adjustment set screw.
- N. One overpressure discharge valve integrated into the CW614N brass regulator, with drain that can be connected using a  $\varnothing$  22 mm weld-on pipe connector.
- N. One gas-specific inlet.
- N. One outlet with  $\varnothing$  22 mm weld-on pipe connector.
- N. One CW614N brass High Pressure shut-off valve.
- N. One CW614N brass check valve.
- N. One pressure gauge on the High Pressure regulator, range 0-315 bar, class 2.5.
- N. One pressure gauge on the Low Pressure regulator, scale 0-16 bar, class 2.5.
- N. One sintered bronze inlet filter (filtration grade < 100  $\mu$ m).
- Stainless steel springs.
- VITON O-Ring for O<sub>2</sub>, NBR O-ring for other gases.
- NYLON seal seat for O<sub>2</sub>, TEFLON seal seat for other gases.
- VITON O-Ring for O<sub>2</sub>, NBR O-ring for other gases.
- Nylon gaskets.
- Satin-finish AISI 316 steel cover.
- Satin-finish AISI 316 steel fixing plate.

**Behringer S.r.l.** via Gualco 4, 16165 Genova ITALY

**T** +39 010 8309103

**F** +39 010 8309183

**e-mail** info@behringer.it

**C.F. e P.I.** 01167840998

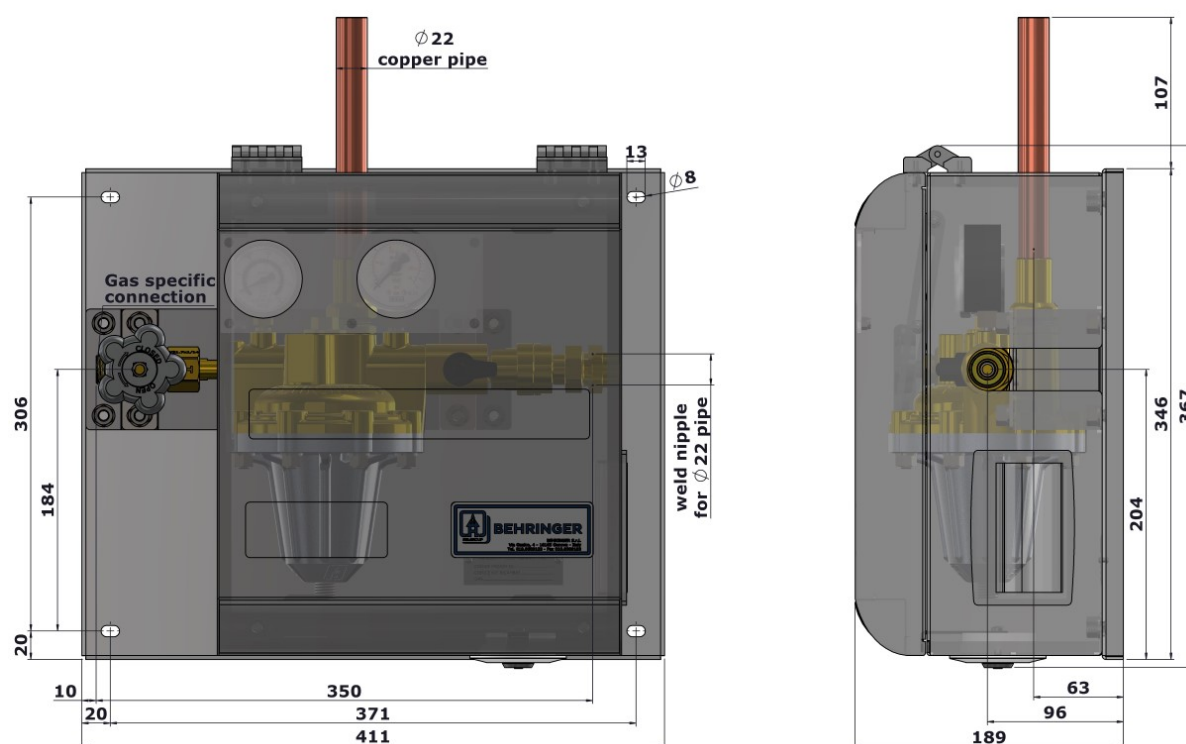
## Product codes

GAS	CODE	CATALOGUE NO.
OXYGEN	HQ130	1249423/R
AIR	HQ131	1249424/R
NITROUS OXIDE	HQ132	1249425/R
CARBON DIOXIDE	HQ133	1249426/R
NITROGEN	HQ134	1249427/R

## Technical data

CODE	Q max.	P <sub>1</sub> max.	P <sub>2</sub>	CONNECTION	WIDTH	HEIGHT	DEPTH	WEIGHT
HQ130	200 Nm <sup>3</sup> /h	200 bar	9 bar	W21,7x1/14" 'A'	410 mm	400 mm	200 mm	16,5 kg
HQ131	200 Nm <sup>3</sup> /h	200 bar	9 bar	W30x1/14" 'A'	410 mm	400 mm	200 mm	16,5 kg
HQ132	200 Nm <sup>3</sup> /h	200 bar	9 bar	G3/8" 'A'	410 mm	400 mm	200 mm	16,5 kg
HQ133	200 Nm <sup>3</sup> /h	200 bar	9 bar	W27x2 'A'	410 mm	400 mm	200 mm	16,5 kg
HQ134	200 Nm <sup>3</sup> /h	200 bar	9 bar	W21,7x1/14" 'B'	410 mm	400 mm	200 mm	16,5 kg

## Technical Images



Behringer S.r.l. via Gualco 4, 16165 Genova ITALY

T +39 010 8309103

F +39 010 8309183

e-mail info@behringer.it

C.F. e P.I. 01167840998

